

# NVR-216E-P16



## Key Features

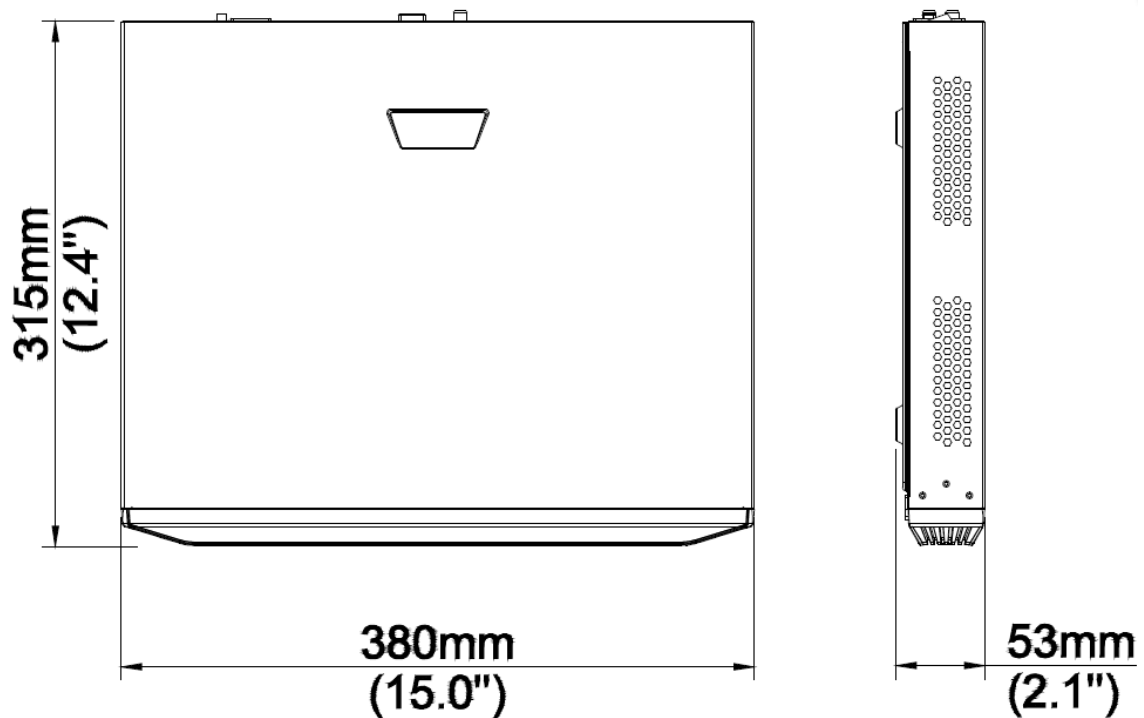
- Support Ultra265/H.265/H.264 video formats
- 16-channel input
- Plug & Play with 16 independent PoE network interfaces
- Support mainstream cameras of ONVIF conformance(Profile S, Profile G, Profile T ) and RTSP protocols
- Support HDMI and VGA simultaneous output
- Up to 8 Megapixels resolution recording
- 2 SATA HDDs, up to 10TB for each HDD
- ANR technology to enhance the storage reliability when the network is disconnected
- Support cloud upgrade

## Specifications

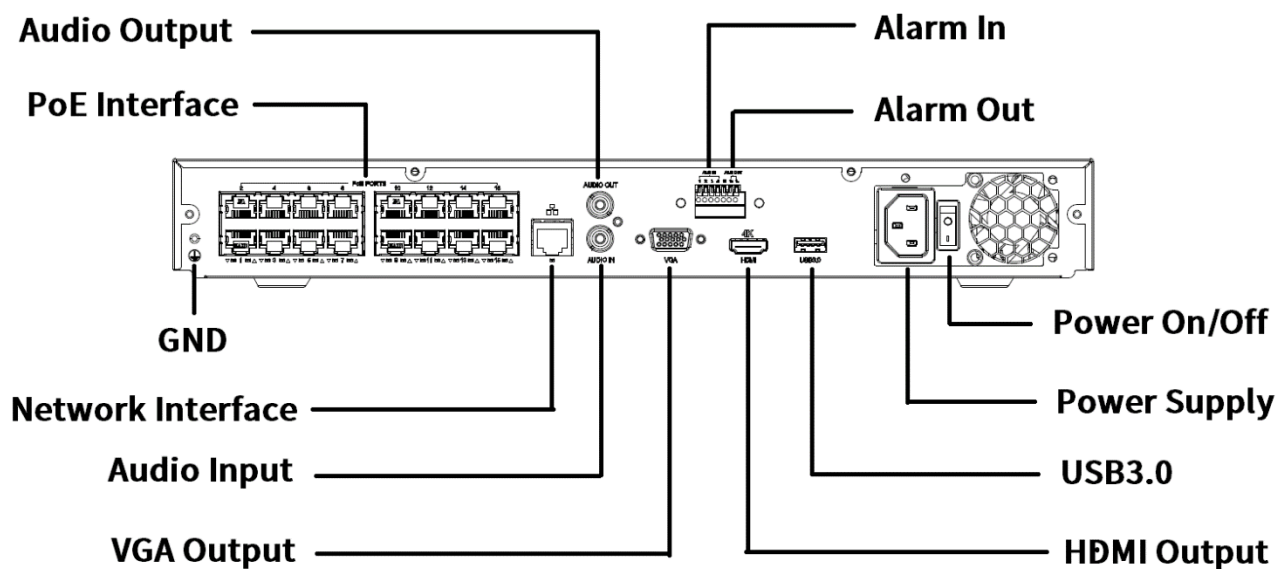
| Model                     | NVR-216E-P16   |
|---------------------------|--|
| <b>Video/Audio Input</b>  |  |
| IP Video Input            | 16-ch  |
| Two-way Audio Input       | 1-ch, RCA  |
| <b>Network</b>            |  |
| Incoming Bandwidth        | 160Mbps  |
| Outgoing Bandwidth        | 64Mbps   |
| Remote Users              | 128  |
| Protocols                 | TCP/IP, P2P, UPnP, DHCP, HTTP, HTTPS, DNS, DDNS, SMTP  |
| <b>Video/Audio Output</b> |  |
| HDMI/VGA Output           | HDMI:<br>4K (3840x2160@30), 1920X1080@60, 1920X1080@50, 1600X1200@60, 1280X1024@60, 1280X720@60, 1024X768@60<br>VGA:<br>1920X1080@60, 1920X1080@50, 1600X1200@60, 1280X1024@60, 1280X720@60, 1024X768@60 |
| Recording Resolution      | 8MP/6MP/5MP/4MP/3MP/1080p/960p/720p/D1/2CIF/CIF  |
| Audio Output              | 1-ch, RCA  |
| Audio Compression         | G.711A, G.711U   |
| Synchronous Playback      | 16-ch  |
| Live View Display         | 1/4/6/8/9/16   |
| Corridor Mode Screen      | 3/4/5/7/9/10/12/16   |
| <b>Decoding</b>           |  |
| Decoding Format           | Ultra265/H.265/H.264   |
| Live View/Playback        | 8MP/6MP/5MP/4MP/3MP/1080p/960p/720p/D1/2CIF/CIF  |
| Capability                | 2 x 4K@30, 4x 4MP@30, 5 x 3MP@30, 8 x 1080P@30, 16 x 720P@30   |
| <b>Hard Disk</b>          |  |
| SATA                      | 2 SATA interfaces  |
| Capacity                  | Up to 10TB for each disk   |
| eSATA                     | NA   |
| <b>Smart</b>              |  |
| VCA Detection by Camera   | Intrusion detection, Cross line detection, Enter Area, Leave Area  |
| VCA Search                | Behavior search  |
| SIP by Camera             | 8-ch   |
| <b>General Alarm</b>      |  |
| General Alarm             | Motion, Human Body Detection, Video Loss, Alarm input  |
| Alert Alarm               | IP Conflict, Network Disconnected, Disk Offline , Disk Abnormal, Illegal Access  |
| <b>External Interface</b> |  |
| Network Interface         | 1 RJ-45 10M/100M/1000M self-adaptive Ethernet Interface  |
| USB Interface             | Front panel: 1 x USB2.0, Rear panel: 1 x USB3.0  |
| RS232                     | NA   |
| RS485                     | NA   |

|                      |   |
|----------------------|---|
| Alarm In             | 4-ch  |
| Alarm Out            | 1-ch  |
| PoE                  |   |
| Interface            | 16 RJ-45 10M/100M self-adaptive Ethernet Interface              |
| Max Power            | Max 30W for single port<br>Max 240W in total                    |
| Supported Standard   | IEEE 802.3af/at   |
| General              |   |
| Power Supply         | 100 ~ 240 V AC<br>Power Consumption: ≤10W(without HDD)          |
| Working Environment  | -10°C~+ 55°C (+14°F~+131°F), Humidity ≤ 90% RH (non-condensing) |
| Dimensions (W×D×H)   | 380mm ×315mm × 53mm (15.0" × 12.4" ×2.1")                       |
| Weight (without HDD) | ≤2.6kg (5.73lb)   |
| Certification        |   |
| Certification        | FCC<br>CE<br>RoHS<br>WEEE                                       |

## Dimensions



Rear Panel



[www.uniview.com/uniarch](http://www.uniview.com/uniarch)

©2022 Zhejiang Uniview Technologies Co., Ltd. All rights reserved.

\*Product specifications and availability are subject to change without notice.